

ROUSSEAU CO.

Clarkston, WA 99403 509.758.3954 www.rousseauco.com

Owner's Manual



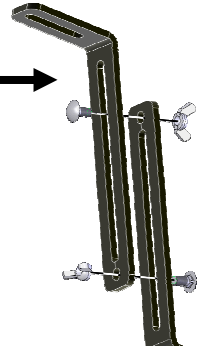
ROUSSEAU 5000 & 5000-L (Lighted) Dust Solution

READ THIS, IT WILL ONLY TAKE A SECOND

Use caution when removing your ROUSSEAU 5000 hood from the bag. It is spring loaded and will spring to shape when removed.

Always follow safety recommendations and guidelines provided by the manufacturer of your tools. When in doubt refer to the applicable owner's manual or other instructions.

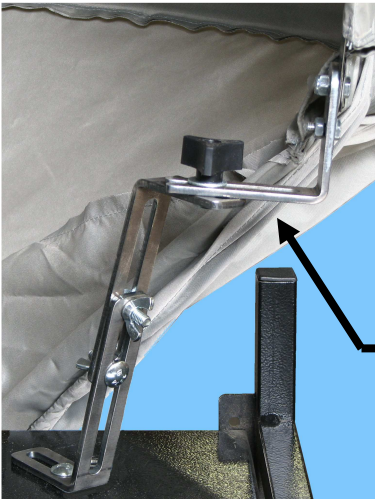
1. Assemble the stanchions



2. Locate the stanchions so they do not interfere with the saw at maximum bevel and angle.

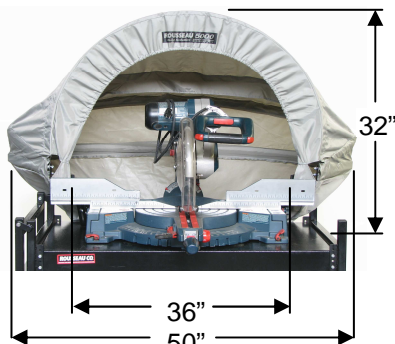


3. Drill if necessary and bolt the stanchions to the tool platform with the 2" carriage bolts.



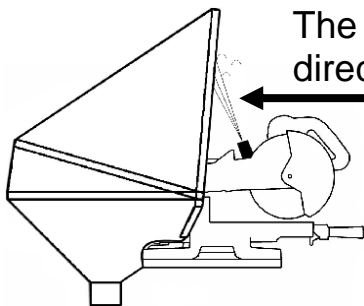
4. Use the 3 arm knob, flat washer and 1" carriage bolt to mount the hood on the stanchion.

NOTE: The ROUSSEAU 5000 or 5000-L (5000) does not have to be right against the saw fence or squeezed tightly around the saw. Leave room to get to accessory ports and fence adjusting knobs. If you are using a dust collection system, even the smallest system will retrieve the fine dust if the hood is *not* squeezed tightly about the saw. The stanchions can be pointed in any direction and can be adjusted to any available height. In short there is no wrong way to install your 5000. The dust hood attaches to the stanchion assemblies mounted on the work bench or stand. Ideally the location of the stanchion assemblies will allow the front of the 5000 to be positioned parallel to the saw fence with the hood opening (left to right) to be approximately 36".

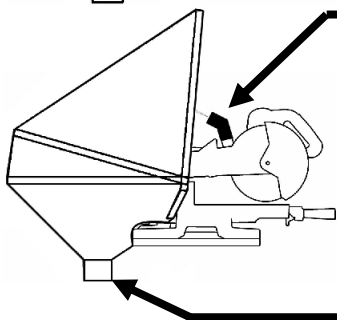


Above Dimensions are approximate

The dust ports on some saws direct the dust outside the hood.



It may be necessary to place a 45° fitting on the saw's dust port in order to direct the dust into the hood.



The dust port at the bottom of the hood is a 3" ABS coupler. To adapt to a 2-1/4" shop vac use a 4" I.D. reducer (i.e. Penn Industries part # D4X)

Parts Identification

Ref.	Name	Qty.
1	Stanchion	4
2	5/16-18 x 2" Carriage	2
3	5/16-18 KEP Nut	2
4	5/16-18 Wing Nut	4
5	5/16-18 x 3/4" Carriage	4
6	5/16-18 x 1" Carriage	2
7	5/16-18 Washer	2
8	5/16 3 Arm Knob Female	2
9	1/4-20 x 5/8" Hex Bolt *	4
10	1/4 -20 NyLock Nut *	4
11	Hoop Mount *	2



* Installed

WARRANTY: This product has a Limited Lifetime Warranty to the original purchaser. The warranty applies to defects in materials and workmanship only. We will repair or replace the product or part(s) at our discretion. This warranty does not apply to product failure or defects due to direct or indirect misuse, abuse, negligence, accidents, alterations, repairs or lack of maintenance. If items must be returned for warranty service, call to receive a Return Goods Authorization (RGA) number and further instruction. Freight costs will be borne by the user.



ROUSSEAU CO.

1392 Port Drive Clarkston, WA 99403

800-635-3416 * 509-758-3954 * Fax 509-758-4991

Email: salesinfo@rousseauco.com * www.rousseauco.com