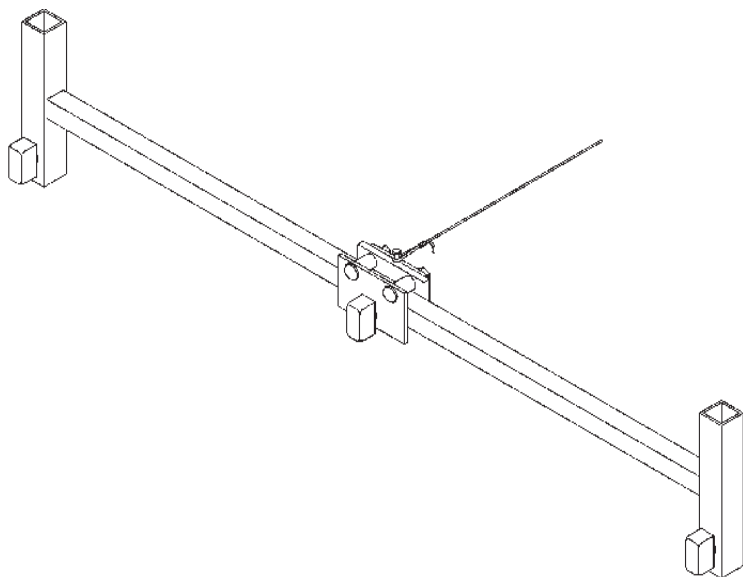


ROUSSEAU CO.

Quality Power Tool Accessories OWNER'S MANUAL



MADE IN THE
USA

Batter Board System

Models 4004 & 4008

IMPORTANT

Read and understand all safety guidelines and instructions carefully before operating.

GENERAL INFORMATION

You have purchased a ROUSSEAU CO. BATTER BOARD SYSTEM. This product is designed to make construction layouts, such as building foundations, quicker, easier and more economical.

WARRANTY

This product has a lifetime warranty to the original purchaser that applies to defects in materials and workmanship only. We will repair or replace the product or part(s) at our discretion. This warranty does not apply to product failure or defects due to normal wear, direct or indirect misuse, abuse, negligence, accidents, alterations, unauthorized repairs or lack of maintenance. The item must be shipped prepaid to our Clarkston, WA location. If items must be returned for warranty service, call to receive a Return Goods Authorization (RGA) number and further instructions.

SAFETY GUIDELINES

THIS SECTION CONTAINS IMPORTANT SAFETY INFORMATION CONCERNING HAZARDS THAT MAY CAUSE SERIOUS INJURY OR DEATH, and/or damage to product or tools if used improperly. Please read the following instructions very carefully.

⚠ WARNING

Always follow the safety recommendations and guidelines provided by the manufacturer of your tools and supplies. When in doubt, refer to your owner's manual.

⚠ WARNING

Always wear ear and eye protection. Failure to do so may cause severe injury to hearing or sight.

⚠ WARNING

Always wear substantial footwear. Failure to do so may cause severe injury to feet.

⚠ WARNING

Always know where you are driving stakes. Before using, locate all buried lines and cables. Call your utility or cable company if you are unsure.

PARTS INCLUDED

MODEL 4004

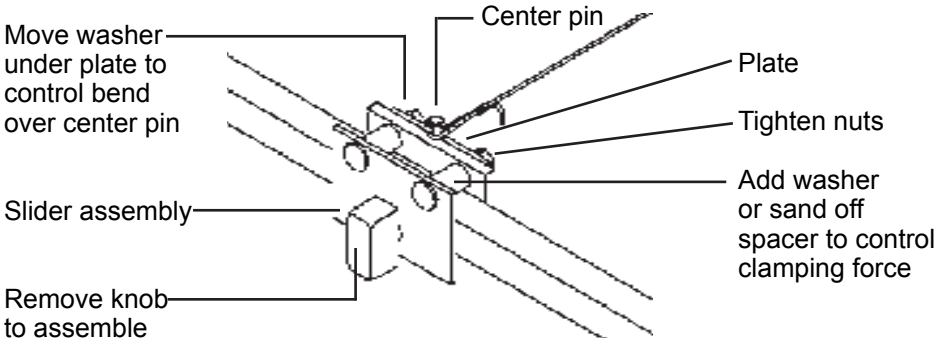
- (4) Batter Board Frame
- (4) Slider Assembly
- (8) Locking Knobs
- String Line (275')

PARTS INCLUDED

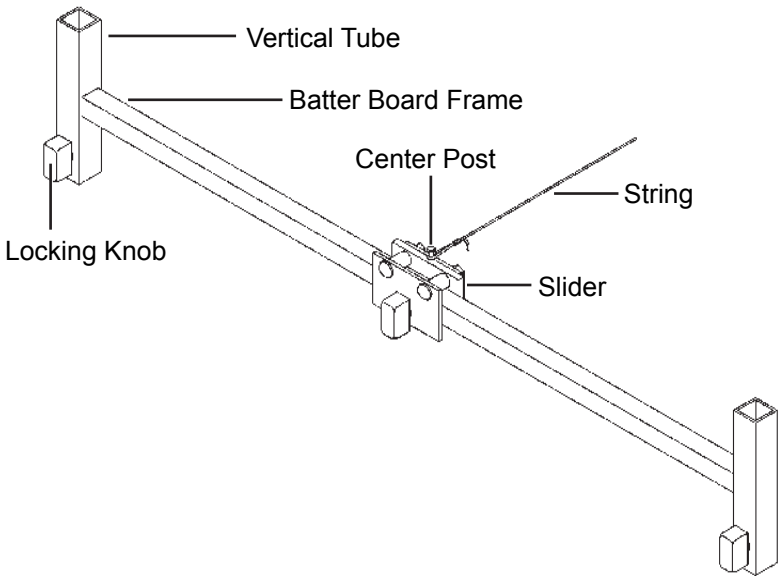
MODEL 4008

- (8) Batter Board Frame
- (8) Slider Assembly
- (16) Locking Knobs
- String Line (275')

ASSEMBLY



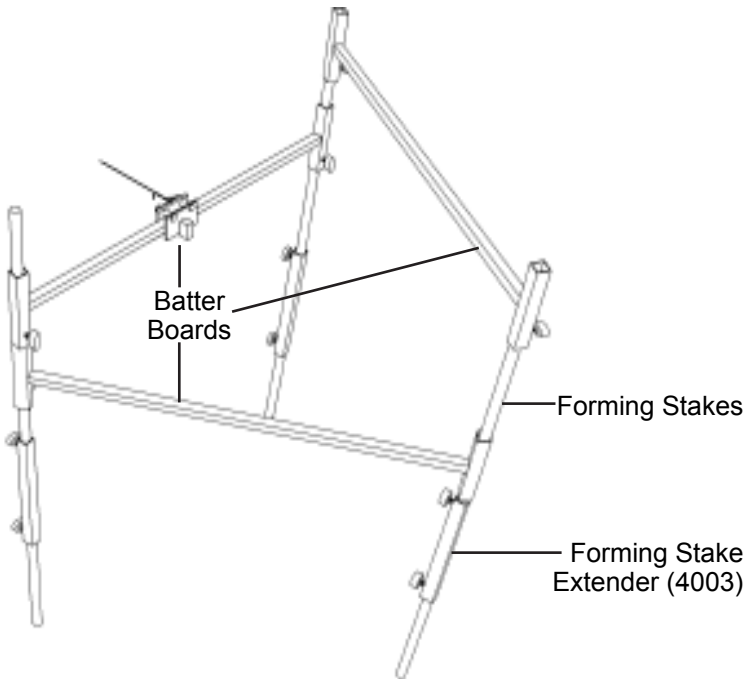
1. Remove the locking knob from the slider assembly and place the slider assembly onto the batter board frame with all three locking knobs on the same side of the batter board. The slider rests on two plastic spacers with the locking knob clamping below the crossbar of the batter board.
2. Tighten the nuts on the slider. If the plate holding the center pin bends too much, move one or both of the washers between the slider assembly and the plate. Turn the plate over to straighten.
3. If the center pin is broken or lost, a nail can be substituted.



INSTRUCTIONS FOR USE

1. Locate batter board on ground so slider will be close to center of frame.
2. Loosen locking knobs to prevent thread damage.
3. Drive $\frac{3}{4}$ " forming stakes through vertical tubes.
4. Raise batter board to desired height and lock in place with locking knobs.
5. Attach string to center post on slider.
6. Move slider to desired position.

ACCESSORIES FOR INCREASED HEIGHT



A strong structure can be built with extra batter boards, long forming stakes and/or optional Extender (4003) when extra height is needed.

ROUSSEAU CO.

1392 Port Drive, Clarkston, WA 99403
800-635-3416 • 509-758-3954 • Fax 509-758-4991
email:salesinfo@rousseauco.com • www.rousseauco.com