

ROUSSEAU CO.

Quality Power Tool Accessories

Owners Manual

PortaMax Table Saw Stand
Models 2780 and 2790



ROUSSEAU CO.

1392 Port Drive, Clarkston, WA 99403
800-635-3416 • 509-758-3954 • Fax 509-758-4991
email:salesinfo@rousseauco.com • www.rousseauco.com

IMPORTANT

Read and understand all safety guidelines and instructions before operating.

GENERAL INFORMATION

You have purchased a ROUSSEAU CO. PORTAMAX TABLE SAW STAND. Designed to be light weight and easy to transport it will save you valuable time, money, and space. This stand is designed to give a comfortable, sturdy location for all you do with your jobsite table saw. With the available accessory options you can perform safely and expertly, operations that normally require two people.

WARRANTY

This product has a lifetime warranty to the original purchaser. The warranty applies to defects in materials and workmanship only. We will repair or replace the product or part(s) at our discretion. This warranty does not apply to product failure or defects due to direct or indirect misuse, abuse, negligence, accidents, alterations, repairs, or lack of maintenance. The item must be shipped prepaid to our Clarkston, WA location. Call for return instructions before shipping item(s).

SAFETY GUIDELINES

This section contains important safety information concerning hazards that may cause serious injury or death, and/or damage to stand or equipment if not used properly. Please read the following instructions carefully.

WARNING

Always follow the safety recommendations and safety guidelines from the manufacturer of your tools. When in doubt refer to your owners manual.

WARNING

Always set your stand on a level surface, making sure the legs are fully extended and securely locked and that all the legs are in contact with the ground or floor. Failure to do so could result in movement or collapse of the stand, causing serious injury to the operator and/or equipment.

WARNING

Always keep hands clear of pinch points, Failure to do so could result in serious injury or loss of fingers.

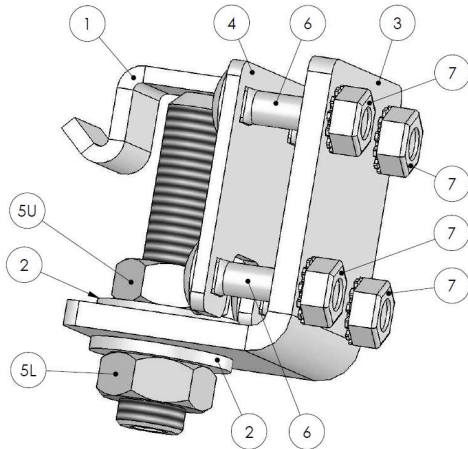
WARNING

Never remove guard or safety equipment from the saw to fit this table. Operation without guards could result in severe injury and or death.

Micro Adjust Assembly

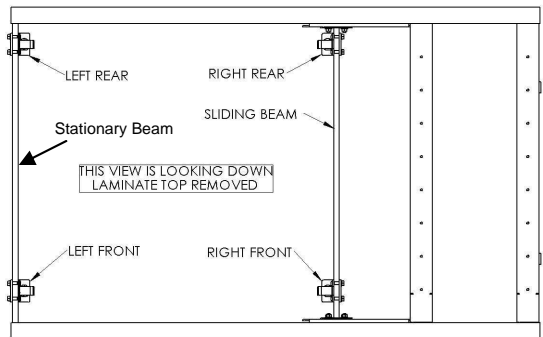
1. The Rousseau 2780 and 2790 table saw stands include Micro Adjust Assemblies to allow for easy adjustment to assure the proper fit of your table saw into the stand. Operation is as follows:
2. For front to back adjustment. Loosen the four ¼-20 KEP nuts (#7) and move the Micro Adjust Assembly along either the Stationary Beam or the Moving Beam of the stand. When in the proper position for your table saw, tighten the four ¼-20 KEP nuts (#7) to hold in place. The Micro Adjust Assembly should be located in the corners of the saw table or “snugged” against the cast bosses on the underside of the saw table. Proper location of the Micro Adjust Assembly will prevent the saw from moving forward or backward when in use.
3. For height adjustment. Loosen the lower Jam Nut (#5L). Adjust for height by tightening or loosening the upper Jam Nut (#5U). When the table top of the saw is level with the laminated top of the 2780/2790 tighten the lower Jam Nut (#5L) while preventing the movement of the upper Jam Nut (#5U).
4. For squaring adjustment. The J-bolt (#1) may be moved forward and backward within the Mount Angle (#3) to assist in squaring the saw to the frame of the stand. For this adjustment loosen the lower Jam Nut (#5L) and reposition the J-bolt (#1) as required. Tighten lower Jam Nut (#5L) while preventing movement of the upper Jam Nut (#5U).

1. J-Bolt
2. ½” Washer
3. Mount Angle
4. Clamp Plate
5. ½-13 Jam Nut
6. ¼-20 Carriage Bolt
7. ¼-20 KEP Nut



SET UP, ADJUSTMENTS AND GENERAL INSTRUCTIONS

5. After removing your table saw stand from the box, unfold legs and secure in the locked position.
6. Remove the fence from the stand.
7. The Rousseau Model 2780 is preset for the DeWalt DWE7480, DW745 and Bosch GTS1031 as well as any other saw with the same table top dimensions. The Model 2790 is preset for the DeWalt DWE 7490 as well as any other saw with the same table top dimensions. Only minor adjustments (if any) utilizing the Micro Adjustment Assemblies are required to level or square these saws in your stand. If installing other saws proceed to #8.
8. Confirm the measurements of the table top of your saw. If the left to right measurement of your saw table exceeds 22" (Model 2780) or 26 3/8" (Model 2790) please continue.
9. Retract saw blade, remove saw guard, and remove fence and other loose accessories from the saw. Turn the saw upside down on a large flat surface.
10. Remove the laminated top of the table saw stand. Place the laminated top on the flat surface next to the saw. When facing the front of the inverted saw locate to the left of the saw.
11. Loosen the four 1/4-20 Kep Nuts (#7) on each Micro Adjust Assembly thus allowing movement along the beams of the stand.
12. Loosen the retaining nuts holding the Moving Beam in place and move the beam to the right.
13. WHEN POSITIONING THE STAND OVER THE SAW BE SURE TO PROVIDE ADEQUATE CLEARANCE ON THE FRONT SIDE OF THE SAW TO ALLOW THE ROUSSEAU FENCE TO SLIDE ALONG THE RAIL OF THE STAND (1/2" MIN.). ALSO POSITION THE STAND SO THAT ANY PROTRUSIONS OF THE SAW (FENCE RAIL, KNOBS, CRANKS, ETC) DO NOT INTERFERE WHEN INSTALLING OR REMOVING THE SAW FROM THE STAND. THE FRONT EDGE OF



THE SAW TABLE SHOULD BE PARALLEL WITH THE FRONT RAIL OF THE STAND.

14. Turn the stand upside down and place over the saw. Be sure the stand and saw face the same direction. The cross pieces of the stand that support the laminated top will be resting on unsecured top. Place the stand so that the J-Bolts of the Micro Adjust Assemblies on the Stationary Beam capture the edge of the saw table.
15. Reposition the Moving Beam of the stand so that the J-Bolts of the Micro Adjust Assemblies on the Moving Beam capture the opposite edge of the saw table. Tighten the retaining nuts to secure the Moving Beam in place.
16. Position the Micro Adjust Assemblies along the beams. The Micro Adjust Assemblies should be located in the corners of the saw table or “snugged” against the cast bosses on the underside of the saw table. Proper location of the Micro Adjust Assemblies will prevent the saw from moving forward or backward when in use. Tighten in place.
17. Leveling adjustment. For proper and accurate use of the stand the saw table and the laminated top of the stand should be level. To level loosen the lower ½-13 Jam Nut (#5L) on each Micro Adjust Assembly. Adjust for level by tightening or loosening the upper ½-13 Jam Nuts (#5U). When the saw table is level with the laminated top tighten the lower Jam Nut (#5L) while preventing movement of the upper Jam Nut(#5U).

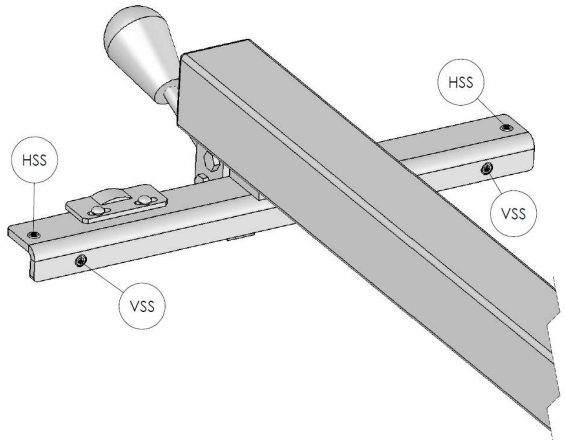


You can insert a small pry bar under the J on the J-bolt to retain alignment.

18. Remove the stand from the flat working surface and set upright.
19. Place your table saw into the stand.
20. Reinstall the laminated top onto the stand. The laminated top should be centered front to back (the top will measure 23 ½” front to back). Measure the distance from the right edge of the saw to the end of the rails of the stand. Subtract 1/8”. This result will be the left to right measurement of the reinstalled laminated top. Trim the top to this dimension, attach the replacement edge banding and reinstall on the stand.

ROUSSEAU FENCE

Install the fence by clamping it to the front rail of the stand. Un-clamp, move the fence back and forth and re-clamp the fence. Do this a few times to help “break in” the fence. Tightness of clamp and parallelism to saw blade can be adjusted with the two vertical set screws (VSS) at the end of the angle iron base on the fence. Flatness and perpendicularity of the fence to the saw table can be adjusted with the two horizontal set screws (HSS) at the end of the angle iron base on the fence.



INSTALLATION OF TAPE MEASURE

NOTE: Be sure the front rail is clean and dry before installing tape measure. Place table saw in PortaMax frame, raise blade. Set and lock fence 10" from right side of blade. Center hairline indicator in opening. Put pencil mark on the front rail directly under hairline. Remove Fence and lay tape measure on rail so 10" mark lines up with pencil mark. Cut tape on right side 1/8" short of frame end. Touch down the 10" mark on the pencil line about 1/16" in from front edge of the frame rail. Smoothly lay tape to the left. Peel off backing on balance of tape, then press down smoothly and firmly onto rail. SAVE excess tape for use on extension when purchased later.

INSTALLING TAPE ON OPTIONAL EXTENSION TABLE

Install extension and tighten wing nut firmly. Lay tape measure on front rail, lining up the numbers by using another tape measure. Mark tape and cut 1/8" short at left and right ends. Carefully measure and line up tape placement and lightly touch down left tip of tape measure. Re-check numbers with another tape measure to be sure lines are exact from main table to extension. Make correction if necessary then press down firmly. Peel remaining backing and press remaining tape onto front rail.