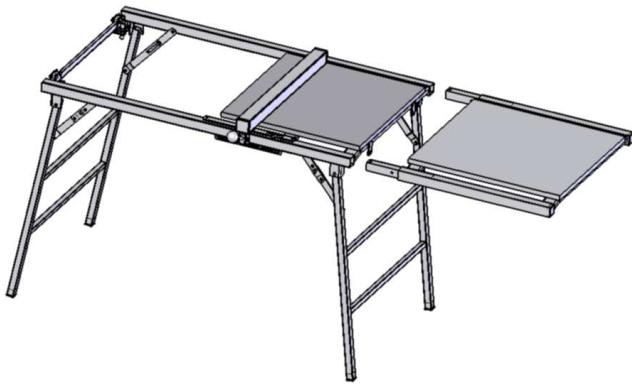


EXTENSION TABLE INSTALLATION AND ADJUSTMENT FOR 2780-EXT, 2780-RXT, 2790-EXT, 2790-RXT

Goal

To align front rail of extension table to front rail of table saw stand so that the fence crosses the joint smoothly. Secondly, to level the extension table to the table saw stand top.



Steps to installing and adjusting the extension tables.

1. Remove the plastic end caps from the table saw stand rails and insert the extension table into the front and rear rails.

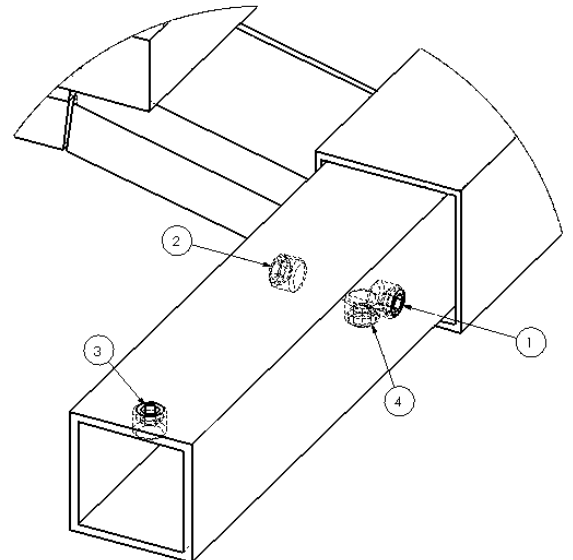
2. Using set screws #4 on the bottom of the stinger, adjust the extension table to match the height of the 1 1/2" rails

3. Using set screws #3 adjust the extension table for level. Please note the height adjustment may change a little during this step and you may need to repeat steps 2 and 3.

4. Using set screws #1 and #2 adjust the front rail for front to back. Proper alignment of the front rail will ensure accuracy of the fence.

5. Bolt the extension to the saw stand using the tab(s) under the saw stand and extension table.

Note; If you intend on repeatedly taking the table extension off and on you may elect to place a little locktight on the set screws to keep the adjustment from changing.



Action of adjustment screws.

- 1) Front to rear
- 2) Rear to front
- 3) Level
- 4) Height