

ROUSSEAU CO.

Quality Power Tool Accessories

OWNER'S MANUAL

**MADE IN THE
USA** Lifetime
Warranty...*Always*



PortaMax Table Saw Stand

Model 2745

IMPORTANT

Read and understand all safety guidelines and instructions carefully before operating.

ROUSSEAU CO.

1392 Port Drive, Clarkston, WA 99403
800-635-3416 • 509-758-3954 • Fax 509-758-4991
email:salesinfo@rousseauco.com • www.rousseauco.com

GENERAL INFORMATION

You have purchased a Rousseau PortaMax Model 2745 Table Saw Stand. This saw table converts a bench-top saw into a portable full-size table saw and includes a fully adjustable fence with measuring tape and hairline indicator.

WARRANTY

This product has a limited lifetime warranty to the original purchaser that applies to defects in materials and workmanship only. We will repair or replace the product or part(s) at our discretion. This warranty does not apply to product failure or defects due to direct or indirect misuse, abuse, negligence, accidents, alterations, repairs or lack of maintenance. The item must be shipped prepaid to our Clarkston, WA location. To return items for warranty service, call to receive a Return Goods Authorization (RGA) number and further instruction.

SAFETY GUIDELINES

Pay special attention to sections headed by this symbol . These sections contain important safety information concerning a hazard that may cause serious injury or death, and/or damage to stand or equipment if used improperly. Please read the owners manual provided with the saw and follow instructions very carefully.

WARNING

Always follow the safety recommendations and guidelines provided by the manufacturer of your tools. When in doubt refer to your owner's manual.

WARNING

Always set saw table on level ground or floor surface, making sure the legs are fully extended and securely locked, and that all legs are in contact with the ground or floor. Failure to do so could result in saw movement or the collapse of the table causing injury to the operator or equipment.

WARNING

Always keep hands clear of hinge points. Failure to do so could result in serious injury or loss of fingers.

WARNING

Never remove rear splitter guard or safety equipment from the saw to fit this table. Operation without splitter guard could result in loss of fingers or kickbacks, causing severe injury and or death.

SET UP AND CHECK FIT

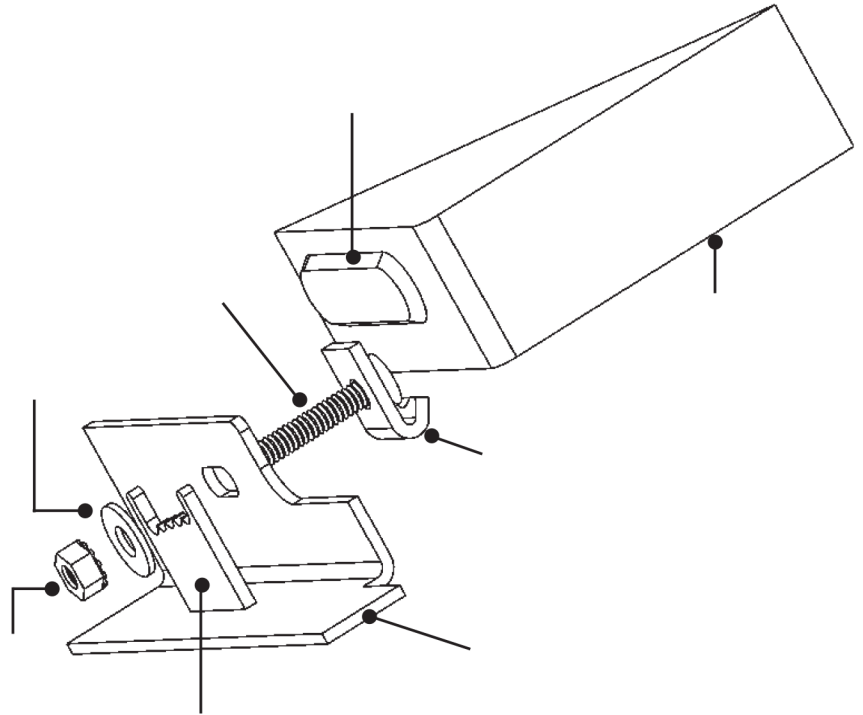
The 2745 Saw Stand is designed and adjusted to fit the DeWalt DW745 Job Site Saw; so, the first few steps below are to check the fit.

1. Unfold saw stand and place on level ground or floor surface. Fully extend legs and securely lock.
2. Remove PortaMax fence from stand.
3. Remove rip fence and any loose items from the DW 745. Center fence rail so ends are flush with saw top. Lock rails in place with Rail Lock Lever. Make sure fronts of the DW 745 and stand face the same direction. Holding saw by front and back fence rail, set saw on J-Hooks in saw stand. Make sure saw is fully seated on J-Hooks. Check for alignment and fit.
4. Make sure saw is tight and doesn't move on J-Hooks relative to saw stand. If the saw is tight and the alignment is good, skip to 9 below. If the saw is loose or won't fully seat on the J-Hooks, go to 7 below.

5. If the height of the saw is slightly above the laminated top on the stand ($1/16$ " or less) and you can use the saw this way for a while, it will be easier to leave the saw adjusted like this as the saw will settle some as the lip on the saw top and the J-Hook "break into" each other. If the height does need adjusting continue with 6 below.

ADJUSTMENTS

6. If the height of the saw needs adjusting; first, measure and record the amount of adjustment needed. A long straight edge and an accurate steel ruler or feeler gages can be used for this measurement. Remove the saw and mark the current location of each J-Hook. Loosen the K-nut holding the flat head screw through each J-Hook. Move the Stepped Spacer notches higher or lower as needed. The Stepped Spacer notches are $1/32$ " apart. Adjustments less than $1/32$ " will require flat filing the bottom of the Stepped Spacer or the notches themselves with a round file to get the exact adjustment. Retighten each J-Hook. Replace saw. If the height still needs adjusting, repeat 6 above. If the saw is tight and the alignment is good, skip to 9 below.



7. If the saw is loose, or won't seat into the J-Hooks or the J-Hooks need major adjusting, it may be easier to adjust the J-Hooks with the saw and stand upside-down on a flat surface. Lay the saw top down on the flat surface first. Set the stand upside-down over the saw making sure the front of the saw and the front of the stand face the same direction. From this view it might be easy to ascertain the problem such as a burr or bent part. If a problem is found, fix the problem, turn stand back over, replace saw and go to 4 above. Otherwise, continue.

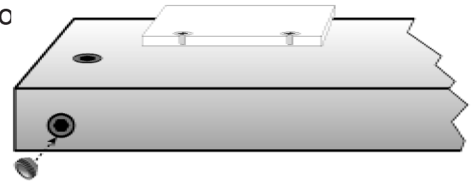
8. The J-Hooks need to fit tightly against the lip and corners of the saw top. These J-Hooks can be adjusted by moving the bolt for the J-Hook through the slot in the stand frame. Make the adjustment as follows: First, loosen the k-nut holding the J-Hook. If the flat head screw turns, lift the stand to expose the slot in the flat head screw and place a small block under the rail on the stand. Hold the screw with a screwdriver while loosening the k-nut. Remove the small block and set the stand back down. Position the J-Hook as needed and tighten the k-nut. If the screw turns before the J-Hook is fully tightened, again lift the frame and set the small block under the rail on the stand. Be careful not to move the J-Hook while lifting and tightening. If the J-Hook moves, loosen the k-nut and start over. After all four J-Hooks fit snugly on each corner of the of the saw top, turn stand back over, replace saw and go to 4 above.

9. Tape measure installation instructions are on the next page.

10. Use saw according to manufacturer's instructions.

11. Periodically check fence for square and if necessary adjust by tightening or loosening set screws on rear of fence angle.

12. Regularly wax your fence and working surface with paste or candle wax. *Do not wax the sides of the front rail since the fence clamps on to it.*



INSTALLATION OF TAPE MEASURE

NOTE: Be sure the front rail is clean and dry before installing tape measure. Place table saw in PortaMax frame, raise blade. Set and lock fence 10" from right side of blade. Center hairline indicator in opening. Put pencil mark on the front rail directly under hairline. Remove Fence and lay tape measure on rail so 10" mark lines up with pencil mark. Cut tape on right side 1/8" short of frame end. Touch down the 10" mark on the pencil line about 1/16" in from front edge of the frame rail. Smoothly lay tape to the left. Peel off backing on balance of tape, then press down smoothly and firmly onto rail. SAVE excess tape for use on optional extension table.

INSTALLING TAPE ON EXTENSION

Install extension and tighten wing nut firmly. Lay tape measure on front rail, lining up the numbers by using another tape measure. Mark tape and cut 1/8" short at left and right ends. Carefully measure and line up tape placement and lightly touch down left tip of tape measure. Re-check numbers with another tape measure to be sure lines are exact from main table to extension. Make correction if necessary then press down firmly. Peel remaining backing and press remaining tape onto front rail.

ACCESSORIES

OUTFEED TABLE MODEL 2720

- 18" x 45" Surface With HPL Professional Grade Laminate On Both Sides
- Folds Flat
- Positions Where Needed
- Front Edge Is Slightly Lower Than Saw To Prevent Material Hang-Up

OUTFEED TABLE
Model 2720 **Optional**



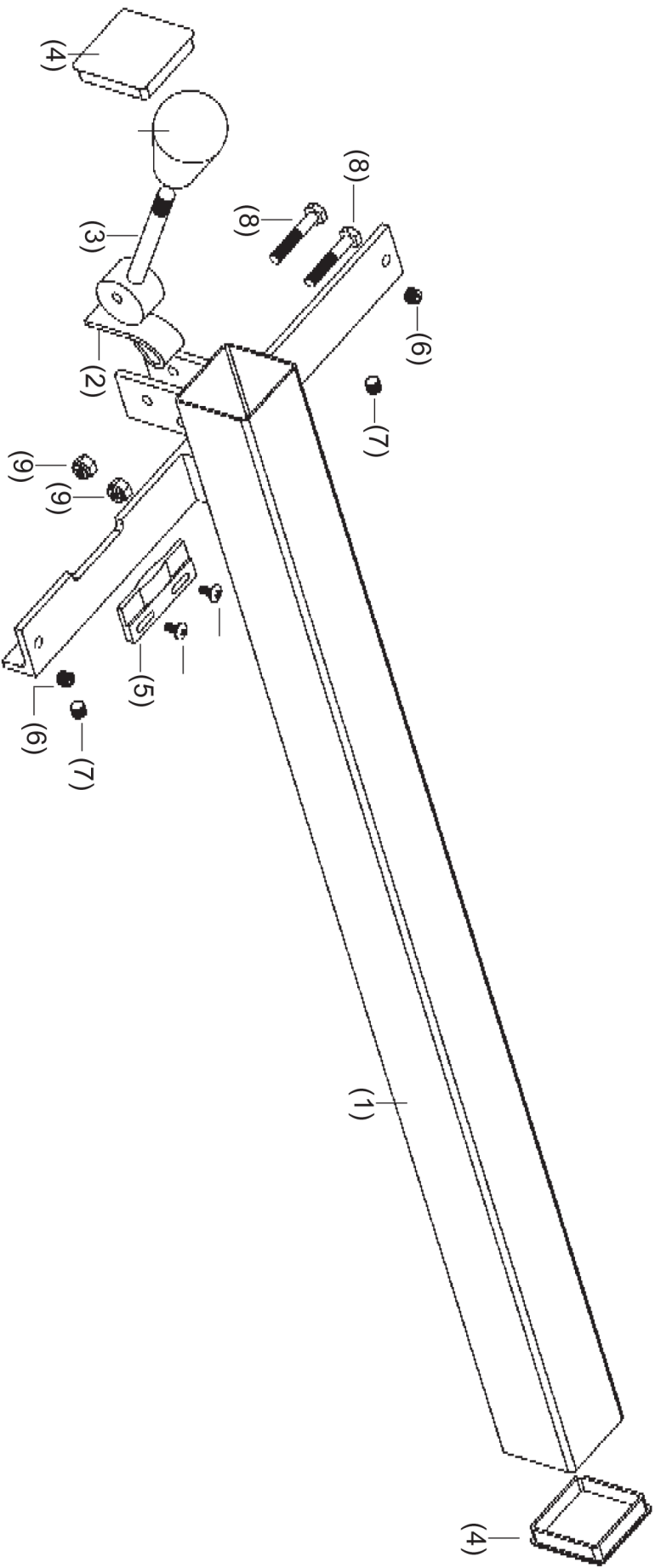
TABLE EXTENSION
Model 2710XL **Optional**

EXTENSIONS
INCREASE RIP
CAPACITY TO 49"

ROUTER EXTENSION
Model 2715XL
Optional

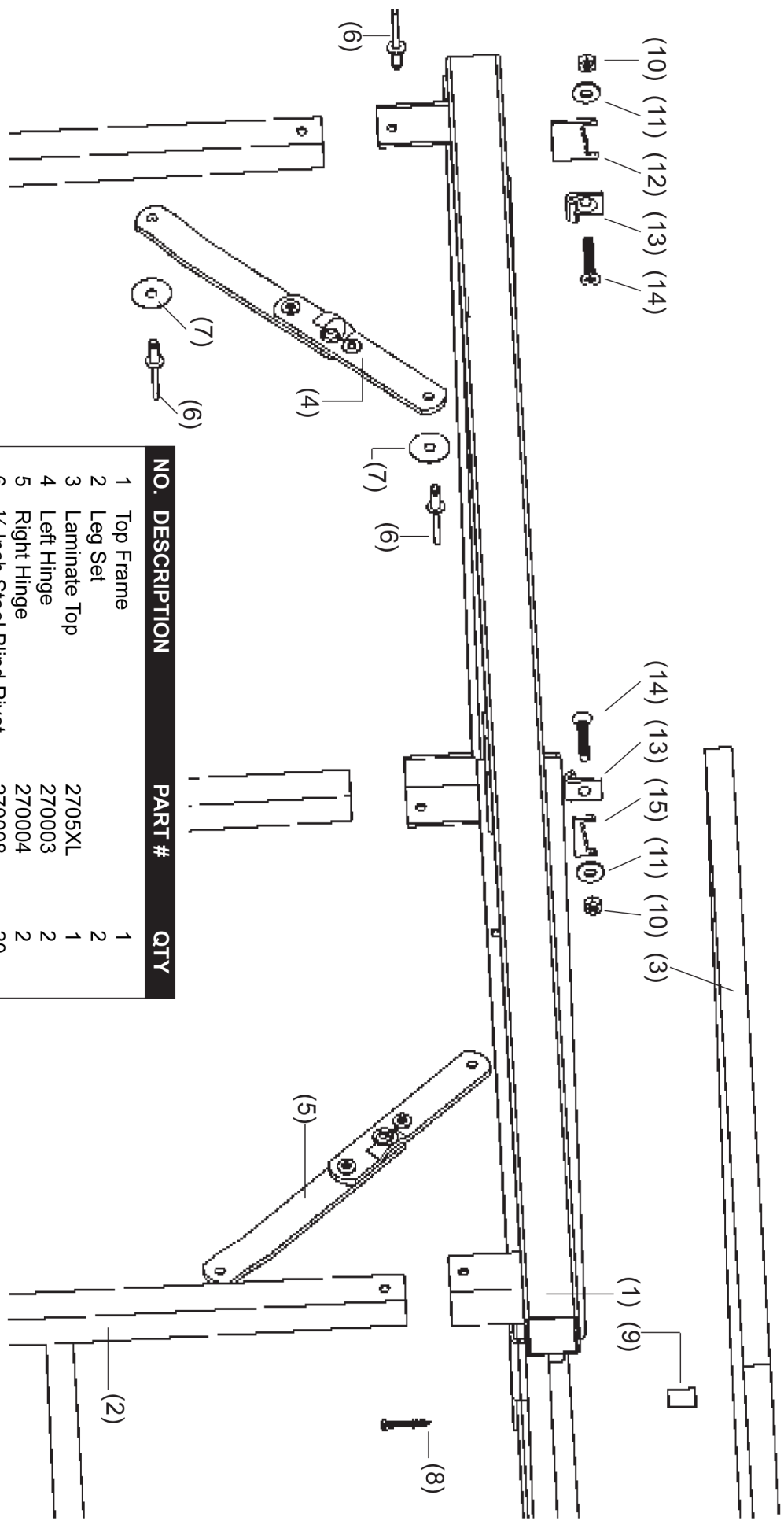
(Router Base Plate
Included with
Extension)

2700FX FENCE PARTS LIST



NO.	DESCRIPTION	PART #	QTY
1	Fence Body	270004	1
2	Fence Whistle	270016	1
3	Locking Cam	270017	1
4	End Cap	270013	2
5	Hair Line Lens	270006	1
6	Nylon Tip Set Screw	270018	2
7	Cut Point Set Screw	270023	2
8	1/4 - 20 1-1/2 Hex Bolt	MS-20A	2
9	1/4 - 20 NYloc Nut	NUT-D3A	2
10	#8 x 3/8 Truss HD Screw	270024	2
11	Knob	270007	1

PORTAMAX MODEL 2745 TABLE SAW STAND PARTS LIST



NO.	DESCRIPTION	PART #	QTY
1	Top Frame		1
2	Leg Set		2
3	Laminate Top	2705XL	1
4	Left Hinge	270003	2
5	Right Hinge	270004	2
6	1/4 Inch Steel Blind Rivet	270008	20
7	1/4 Inch Fender Washer	WSH-028	8
8	#8 x 1 1/4 Wood Screw		8
9	1/2 x 3/4 Nylon Standoff	270015	8
10	1/4 - 20 K-Nut		4
11	1/4 Flat Washer		4
12	1 Inch Stepped Spacer	274501	2
13	J-Hook	274502	4
14	1/4 - 20 x 3/4 Flat Head Screw	274504	4
15	3/8 Inch Stepped Spacer	274503	2

NOTE: For Simplicity Multiples of Some Parts Not Shown