

ROUSSEAU CO.

Quality Power Tool Accessories

OWNER'S MANUAL

MADE IN THE
USA Lifetime
Warranty...*Always*



PortaMax Table Saw Stand

Model 2700XL

IMPORTANT

Read and understand all safety guidelines and instructions carefully before operating.

ROUSSEAU CO.

1392 Port Drive, Clarkston, WA 99403
800-635-3416 • 509-758-3954 • Fax 509-758-4991
email:salesinfo@rousseauco.com • www.rousseauco.com

GENERAL INFORMATION

You have purchased a Rousseau MiniSaw PortaMax. This saw table converts a bench-top saw into a portable full-size table saw and includes a fully adjustable fence with measuring tape and hairline indicator.

WARRANTY

This product has a limited lifetime warranty to the original purchaser that applies to defects in materials and workmanship only. We will repair or replace the product or part(s) at our discretion. This warranty does not apply to product failure or defects due to direct or indirect misuse, abuse, negligence, accidents, alterations, repairs or lack of maintenance. The item must be shipped prepaid to our Clarkston, WA location. To return items for warranty service, call to receive a Return Goods Authorization (RGA) number and further instruction.

SAFETY GUIDELINES

Pay special attention to sections headed by this symbol **WARNING**: These sections contain important safety information concerning a hazard that may cause serious injury or death, and/or damage to stand or equipment if used improperly. Please read the following instructions very carefully.

WARNING

Always follow the safety recommendations and guidelines provided by the manufacturer of your tools. When in doubt refer to your owner's manual.

WARNING

Always set saw table on level ground or floor surface, making sure the legs are fully extended and securely locked, and that all legs are in contact with the ground or floor. Failure to do so could result in saw movement or the collapse of the table causing injury to the operator or equipment.

WARNING

Always keep hands clear of hinge points. Failure to do so could result in serious injury or loss of fingers.

WARNING

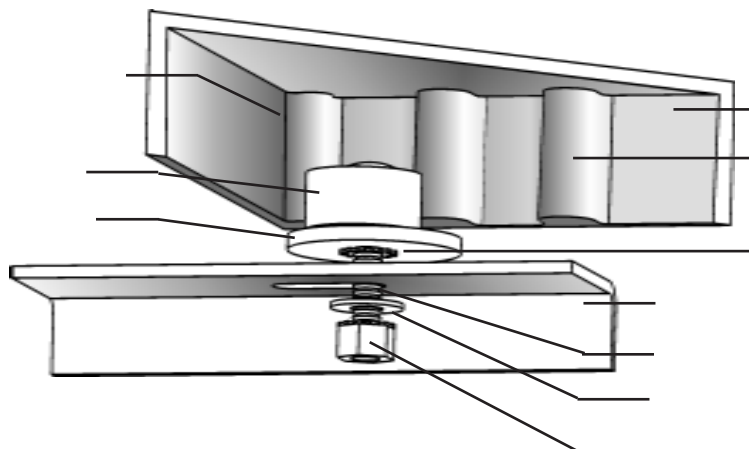
Never remove rear splitter guard or safety equipment from the saw to fit this table. Operation without splitter guard could result in loss of fingers or kickbacks, causing severe injury and or death.

SET UP AND ADJUSTMENTS

1. Unfold saw table and place on level ground or floor surface then fully extend legs until securely locked.

2. Remove PortaMax fence from MiniSaw Stand.

3. The 2700XL is set for the Makita 2702/2703 saw. For other saws, go to step 4. Place saw in stand. If fit is okay, go to step 8. If cams need adjusting, go to step 4.



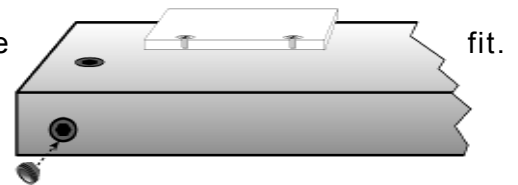
FOR OTHER SAWS

4. It is easier to install and adjust the cams with the saw and stand upside-down on a flat surface. Lay the saw down on the flat surface first. Set stand over saw and position stand's top tight against saw table top with front edge of top aligned with front edge of the saw top. Weigh down tabletop end of stand to assure that top is level and flat with the saw top.

5. Install cams as close as possible to the four corners of the saw top. It may be necessary to drill new holes for the carriage bolts holding the cams depending on the individual saw and its preferred position in the stand. The stand can be lifted to put the bolt with the cam, shim and star washer on it through the slot or hole from the under side.

6. The two cams nearest the stand's top need to apply pressure toward this top. Tighten these cams first. It's best to position the lobe of the cam so that tightening the nut pushed the lobe into the saw top. This allows easier tightening without the cam moving and means vibration from the saw won't loosen the cam later. Since the underside of the saw top is tapered, temporarily shimming the saw top away from the shim under the cam while tightening the bolt will allow a tighter fit. Be careful here as the cams can be made so tight that the saw could be difficult to remove and replace. A little clearance between the cams and the saw top causes very little loss in sawing accuracy.

7. Turn the stand over and drop the saw into position to check the fit. Any difference in the height of the saw top and the stand top is due to manufacturing variations. This difference can be reduced by either shimming the saw or top with washers or heavy paper. The distance from the side rails to the top surface should be 5/8" for proper fit with the fence.



8. Tape measure installation instructions are on the next page.

9. Use saw according to manufacturer's instructions.

10. Periodically check fence for square and if necessary adjust by tightening or loosening set screws on rear of fence angle.

11. Regularly wax your fence and working surface with paste or candle wax. *Do not wax the sides of the front rail since the fence clamps on to it.*

INSTALLATION OF TAPE MEASURE

NOTE: *Be sure the front rail is clean and dry before installing tape measure.* Place table saw in PortaMax frame, raise blade. Set and lock fence 10" from right side of blade. Center hairline indicator in opening. Put pencil mark on the front rail directly under hairline. Remove Fence and lay tape measure on rail so 10" mark lines up with pencil mark. Cut tape on right side 1/8" short of frame end. Touch down the 10" mark on the pencil line about 1/16" in from front edge of the frame rail. Smoothly lay tape to the left. Peel off backing on balance of tape, then press down smoothly and firmly onto rail. **SAVE** excess tape for use on extension when purchased later.

INSTALLING TAPE ON EXTENSION

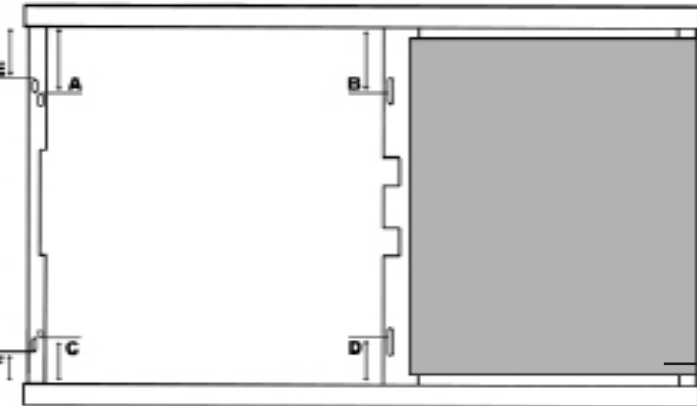
Install extension and tighten wing nut firmly. Lay tape measure on front rail, lining up the numbers by using another tape measure. Mark tape and cut 1/8" short at left and right ends. Carefully measure and line up tape placement and lightly touch down left tip of tape measure. Re-check numbers with another tape measure to be sure lines are exact from main table to extension. Make correction if necessary then press down firmly. Peel remaining backing and press remaining tape onto front rail.

SPECIAL INSTRUCTIONS FOR 2700XL

- 1) DeWalt saw: remove entire existing fence system and plastic carrying handles.
- 2) Hitachi saw: remove left wing.
- 3) Follow instructions in the main owner's manual.

CAUTION: When inserting and removing saw be very careful with the saw's blade adjustment knob.

CAM PLACEMENT FOR 2700XL



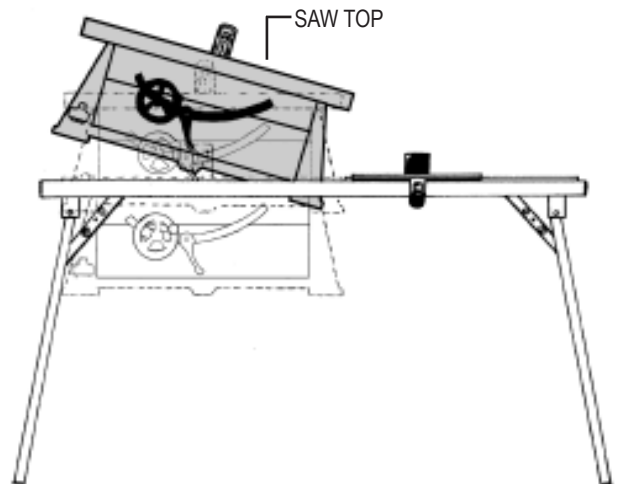
**** DEWALT 745 SAW REQUIRES OPTIONAL INSTALLATION KIT #**

	DeWalt DW744	Hitachi C10RA	Makita 2702/2703
A	4-13/16"		
B	5-1/4"	3-19/32"	4"
C	2"		
D	5/8"	7/8"	29/32"
E		3 -19/32"	3-7/8"

INSERTING AND REMOVING DEWALT DW744

The plastic base of the DeWalt saw is larger than it's cast top. Inserting and removing saw must be done carefully. Some of the plastic can be cut off the base to make inserting & removing the saw easier.

- 1) Tilt saw down on right.
- 2) Lower base of saw under right cross member then raise the base tight underneath it.
- 3) Bring left side down slowly.
- 4) Lower into position.
- 5) Reverse steps (1-4) to remove saw.



ACCESSORIES

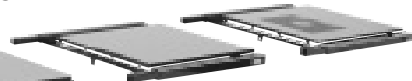
OUTFEED TABLE MODEL 2720

- 18" x 45" Surface With HPL Professional Grade Laminate On Both Sides
- Folds Flat
- Positions Where Needed
- Front Edge Is Slightly Lower Than Saw To Prevent Material Hang-Up

OUTFEED TABLE Model 2720 **Optional**



TABLE EXTENSION Model 2710XL **OP- TIONAL**



ROUTER EXTENSION Model 2715XL **Optional**